

**Submittal Data:36RLXB
Inverter Driven Heat Pump**

36,000 BTU Heat Pump System

Job Name: _____
 Location: _____
 Engineer: _____
 Submitted to: _____
 Submitted by: _____
 Reference: _____

Date: _____
 Approval: _____
 Construction: _____
 Unit #: _____
 Drawing #: _____

General Features

- Refrigerant Type R410A.
- Extra long piping allotment
- Wired and wireless remote controllers
- Double swing automatic
- Automatic airflow adjustment
- Economy operation
- 5- Years Parts, 7-Years Compressor Warranty (See Warranty Statement for details)
- 24 hr. Timer

Model Information

Outdoor..... AOU36RLXB
 Indoor..... ASU36RLXB

Electrical..... 208/230V AC 1ph-60Hz
 Available Voltage Range..... 208/230 +/- 10%
 Minimum Circuit Ampacity..... 23.3 A
 Max Fuse Size..... 30A
 Max Starting Current..... 17 A

Input Power

Cooling..... 3.88 kW
 Heating..... 3.39 kW

Running Current

Cooling..... 17 A
 Heating..... 14.8 A

Capacity

Nominal Cooling..... 36,000 Btu/h
 Min-Max Cooling..... 9,900 – 34,000 Btu/h
 Nominal Heating..... 36,000 Btu/h
 Min-Max Heating..... 10,200 – 35,000 Btu/h

Compressor

..... Rotary (inv x1)
 Motor Output..... 2,100 W
 Refrigerant..... R410a
 Charge..... 4lbs. 10.1oz
 Oil..... POE (RB68)

Fan Motor

(Condenser) Type: DC Propeller x1
 (Condenser) Motor Output..... 100 W
 (Evaporator) Type: DC..... Cross flow fan x1
 (Evaporator) Motor Output..... 65 W
 Thermal Protection (On)..... 248 ± 27°F (120 ± 15°C)
 Evaporator (Off)..... 302 ± 27°F (150 ± 15°C)
 Condenser (On) 248 ± 27°F (120 ± 15°C) / (Off) 302 ± 27°F (150 ± 15°C)

Heat Exchanger

Dimensions
 (H x W x D) in. (mm)..... 31-7/16 x 35-7/16 x 1-7/16 (798x900x36.4)
 Fin Pitch..... 20 FPI
 Rows x Stages..... 2 x 38
 Pipe Type (Material)..... Copper
 Fin Type (Material)..... Aluminum

Note: Specifications are based on the following conditions:
 Cooling: Indoor temperature of 80°F (26.7°C) DB/67°F (19.44°C) WB, and outdoor temperature of 95°F (35°C) DB/75°F (23.9°C) WB.
 Heating: Indoor temperature of 70°F (21.1°C) DB/59°F (15.°C) WB, and outdoor temperature of 47°F (8.33°C) DB/43°F (6.11°C) WB.
 Pipe length: 24ft. 7in. (7.5m), Height difference: 0ft. (0m) (Outdoor unit – indoor unit)



Operation Temperature Range

Cooling..... 14°F (-10°C) - 115°F (-46°C)
 Heating..... 5°F (-15°C) - 75°F (-24°C)

Efficiency

SEER..... 15.5
 EER (cooling)..... 2.50 kW/kW
 COP (heating)..... 2.94 kW/kW / 10.0 Btu/h/W
 HSPF (heating)..... 9.0 Btu/h/W

Enclosure (Condenser)

Material..... Painted galvanized steel
 Color..... Beige (10 YR 7.5/1.0 NN)

Sound Pressure Level

Outdoor..... 55 dB(A)
 Indoor..... 50 dB(A)

Dimensions

H x W x D
 Outdoor in. (mm)..... 32-11/16 x 35-7/16 x 13 (830x900x330)
 Indoor in. (mm)..... 12-10/16 x 39-5/16 x 9 (320x998x228)

Connection Pipe

Liquid..... 3/8"
 Gas..... 5/8"
 Method (Liquid/Gas)..... Brazing
 Pre-charge..... 66 ft. (20m)
 Minimum Length..... 16 ft. (5m)
 Max Length (Pre-charge)..... 164 ft. (50m) / (65 ft. {20m}) 0.43oz / ft. over 66 ft.
 Max Height Difference..... 98 ft. (30m)

Weight

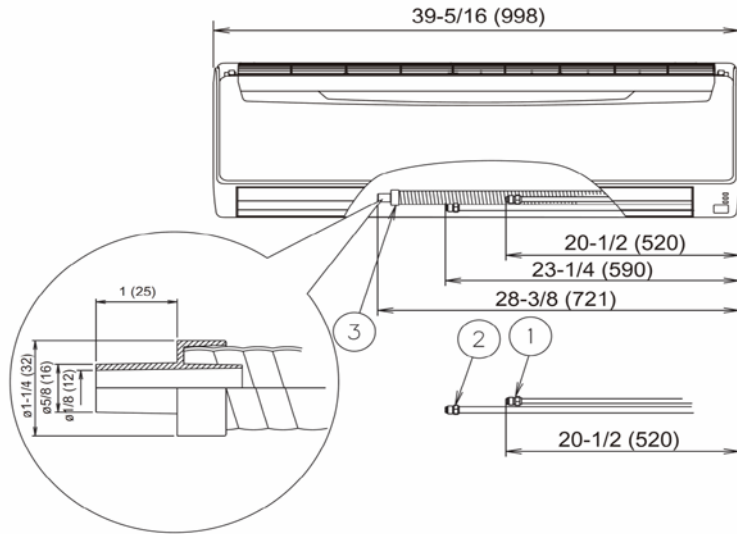
Outdoor..... 134 lbs. (61kg)
 Indoor..... 31 lbs. (14kg)

Accessories

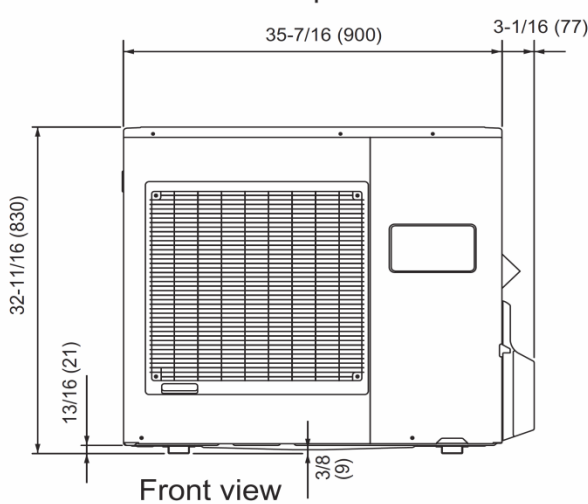
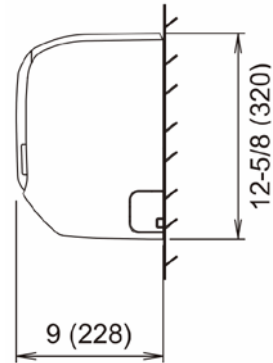
Wired Remote Controller..... UTY-RVNUM
 Wired Remote Controller..... UTY-RNNUM
 Simple Remote Controller..... UTY-RSNUM

Dimensions:36RLXB

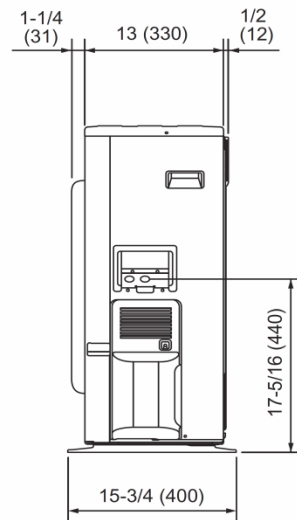
[Unit: in. (mm)]



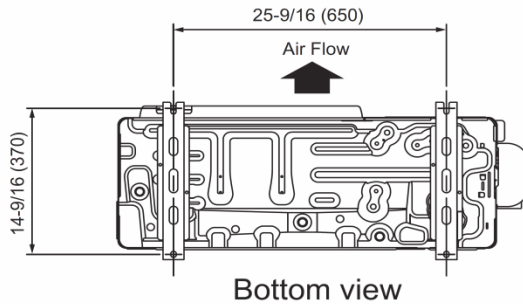
Top view



Front view



Side view



Bottom view

